



**PROCESS PUMP  
RPP SERIES**

REGALINE RPP series process pumps are centrifugal end suction pumps with back pull-out design and constructed using corrosion-resistant material to handle chemical duties. They are ideally suited for palm oil mill and chemical process industries. They are reliable, with low operating costs at optimum efficiency.

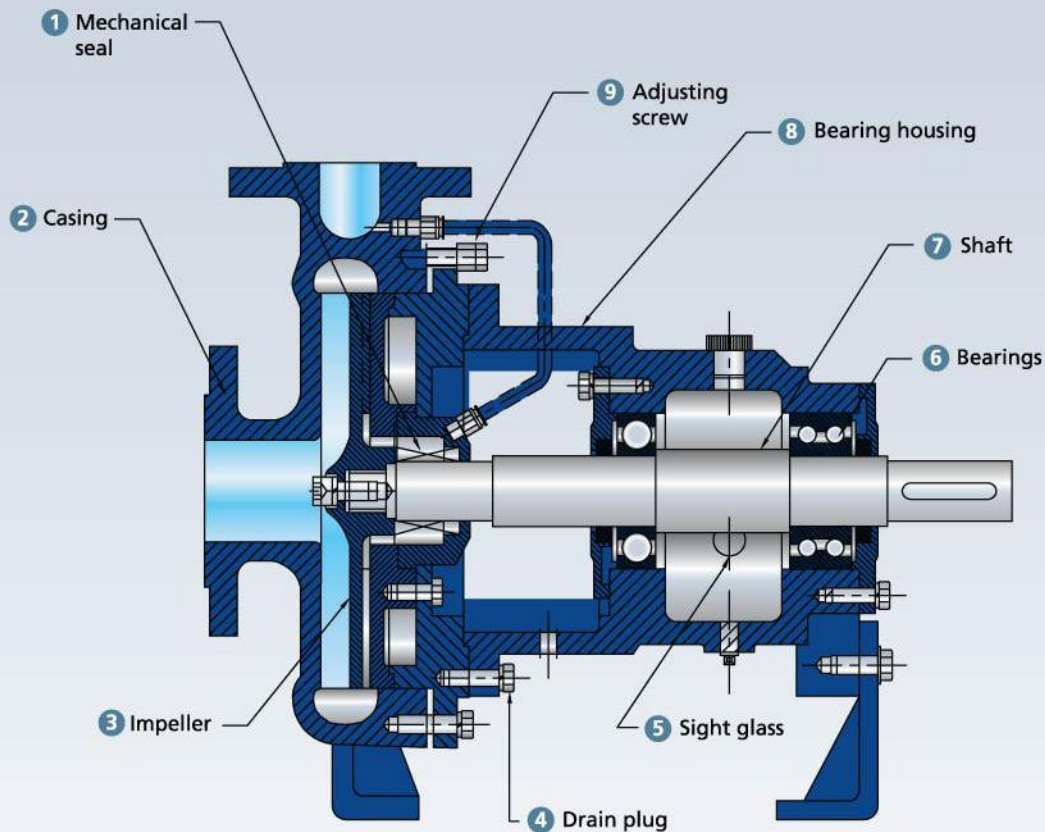
### Material of Construction

Casing	Stainless steel
Impeller	Stainless steel
Back Casing cover	Stainless steel
Shaft	Stainless steel
Impeller nut	Stainless steel
Shaft sleeve	Stainless steel
Bearing housing	Cast iron
Mechanical seal	Silicon carbide/Silicon Carbide/ Viton

### Design features

- Back pull-out design for easy maintenance.
- Wetted parts are of stainless steel which can withstand abrasion and corrosion resistant.
- Flushing of mechanical seal is available.
- Clockwise viewed from drive end.

- 1 Mechanical seal - Durable with wide range of materials available.
- 2 Casing - Specially designed wear resistant pump casing.
- 3 Impeller - Dynamically balanced non-clog open or semi-open impeller. Multiple back vanes to reduce chamber pressure and concentration of solids.
- 4 Drain plug - Easy removal of contaminants.
- 5 Sight glass - Easy viewing and monitoring of oil level.
- 6 Bearings - Heavy duty thrust bearing.
- 7 Shaft - Rugged and larger shaft size for heavy duty application with minimal deflection.
- 8 Bearing housing - Heavy duty cast iron construction with larger space for better heat dissipation.
- 9 Adjusting screw - Adjustment of impeller clearance to maintain efficiency and extend pump life span.



### Operating Conditions

- Capacity : up to 400 m<sup>3</sup>/h
- Head : up to 100m
- Liquid temperature : 80°C  
(higher temperatures on request)
- Ambient temperature : up to 50°C
- Maximum permissible working pressure : 10 bar
- Drive : Vee pulley belt driven or direct coupled to electric motors or engines



Pump parts

### Application

- Crude palm oil transfer
- Effluent and sludge
- Claybath system
- Chemical process industries
- General industry
- Steel industry
- Vegetable oil
- Fertiliser



Pulley belt driven installation

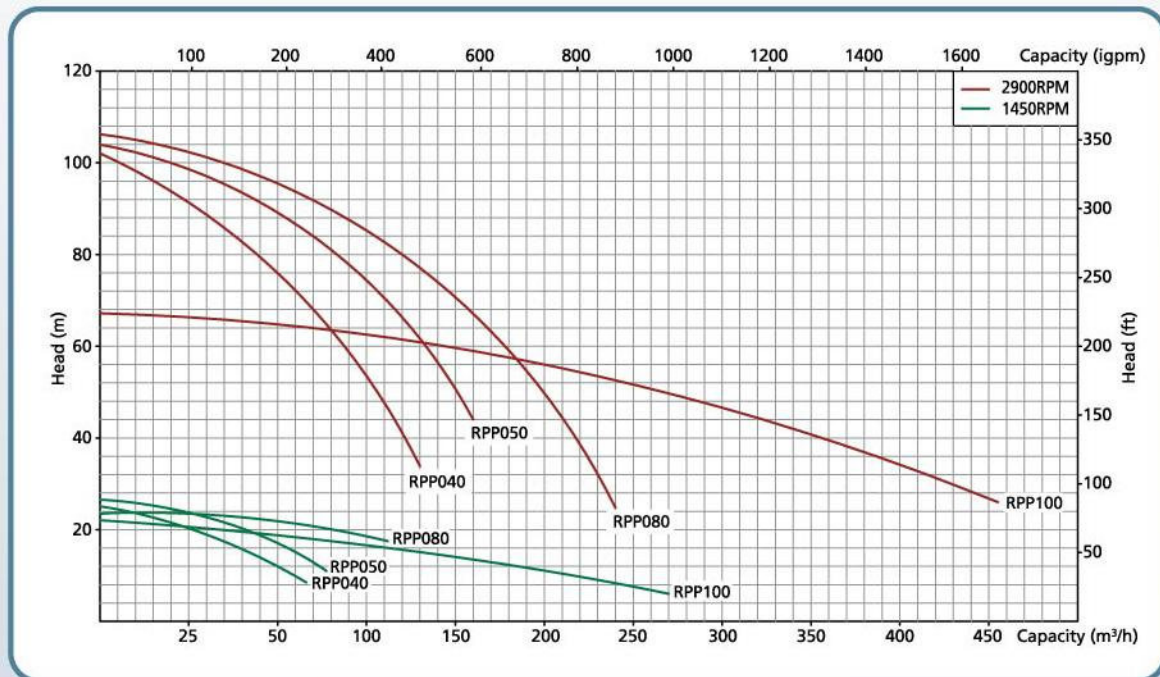
### Other Regaline Products Series

- Basic centrifugal end suction pump
- Horizontal and vertical split casing pump
- Stainless steel centrifugal end suction pump
- Closed coupled pump
- Vertical multistage stainless steel pump
- Self priming pump
- Sludge and raw sewage submersible pump
- Portable diaphragm pump



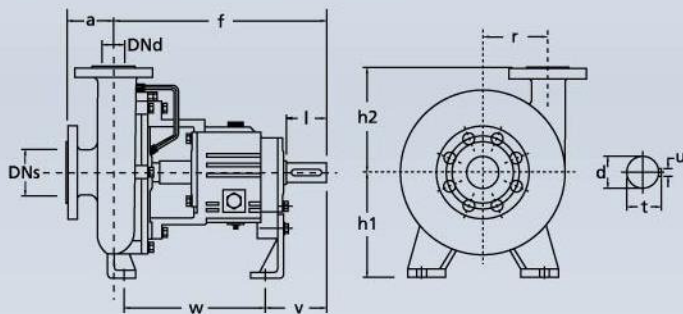
Palm oil estate

## Selection Range Chart

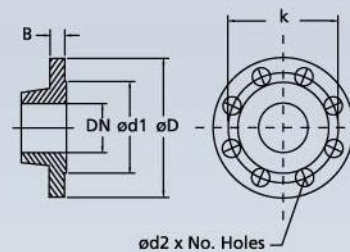


Different rotation speed available. Please refer individual pump curves for model selection.

## Installation Dimension (mm)



## Flange Dimension (mm)



Model	a	f	h1	h2	r	l	v	w	d	t	u	DNs	DNd
RPP040	93	425	210	211	131	80	131	268	38	42.8	9.5	65	40
RPP050	118	430	210	220	125	80	131	233	38	42.8	9.5	80	50
RPP080	111	448	210	248	128	80	131	281	38	42.8	9.5	100	80
RPP100	128	453	210	268	146	80	131	281	38	42.8	9.5	125	100

Nominal Dia.	Flange	Raised face	Drilling*	Bolting				
DN	D	B	d1	f				
			No.	d2				
			k					
40	154	22	88	3	4	18	110	M16
50	160	22	106	3	4	18	125	M16
65	185	20	122	3	4	18	145	M16
80	204	18	133	3	8	18	160	M16
100	220	24	158	3	8	18	180	M16
125	250	26	188	3	8	18	210	M16

Flange dimensions and drilling according to ISO 2084-PN16

\* Holes equally spaced straddling pump centreline

For enquiries, please contact :