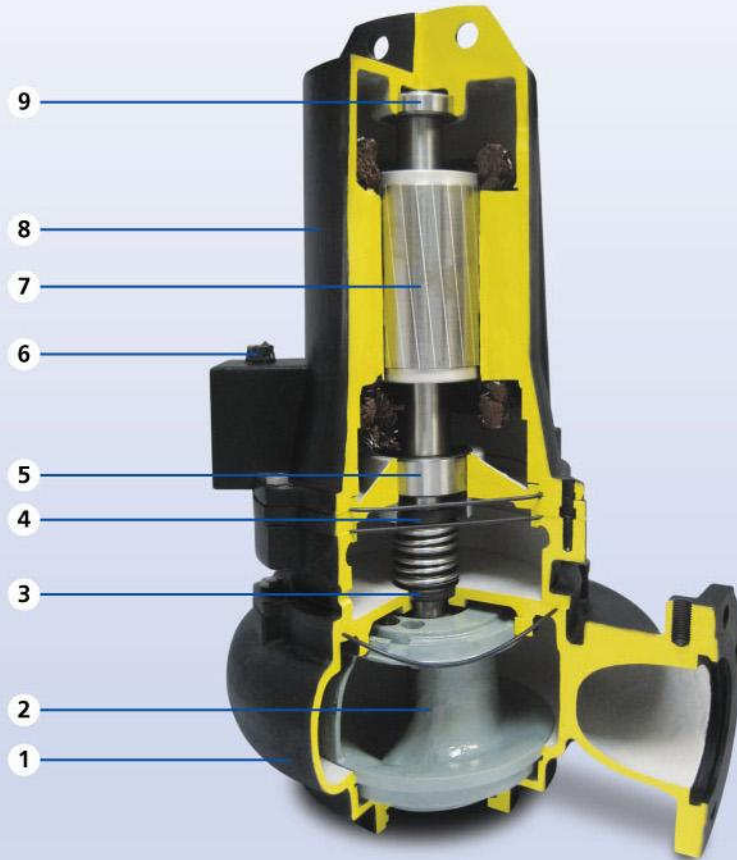




**SUBMERSIBLE SEWAGE PUMP
RSP SERIES**

REGALINE RSP series submersible sewage pump comprises a pump and motor directly coupled as a unit capable of being fully immersed, the only connections with the surface being a rising main and a power cable for the motor. The pumps are constructed of rugged cast iron with heavy-duty motor suitable for municipal water and wastewater, sewage and flood control applications.



Open-type vortex impeller



Single channel impeller

No.	Parts	Material
1	Pump casing	Grey cast iron
2	Impeller <i>Non clog type vortex or single channel impeller</i>	Grey cast iron
3	Lower mechanical seal	Silicon carbide / silicon carbide / Viton
4	Upper mechanical seal <i>Protects driver should a failure occur at the lower mechanical seal</i>	Carbon / ceramic / silicon carbide / Viton or NBR
5	Lower bearing <i>Grease lubricated ball bearing</i>	Steel
6	Cable gland <i>Water pressure-tight to prevent the entry of liquid</i>	Stainless steel
7	Rotor shaft	Stainless steel AISI 420 / AISI 304
8	Motor housing	Grey cast iron
9	Upper bearing <i>Grease lubricated ball bearing</i>	Steel
	Bolts and nuts	Stainless steel

Application

- Drainage of sewage and dirty water
- Dewatering
- Operation in septic tanks
- Small purifying installations
- Water and wastewater treatment
- Effluent and sludge
- Building services

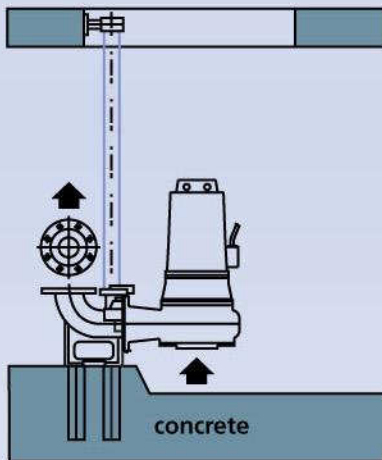
Accessories

- Mounting : Automatic discharge coupling (ADC) or free standing
- Cable : 8m (10m and above upon request)
- Optional :
 - Built-in heater and thermistor
 - Built-in leakage sensor
 - Cooling jacket (for dry pit installation)
 - Base stand (for free standing installation)

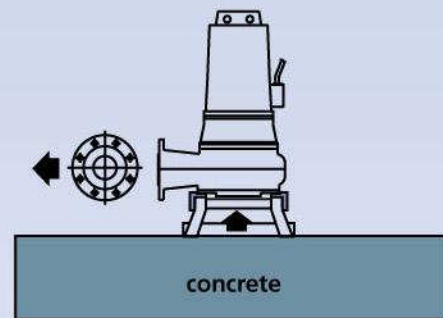
Operating Conditions

- Capacity : Up to 210m³/h
- Head : Up to 20m
- Liquid temperature : 40°C (higher temperatures on request)
- Motor : 380-440V / 3 phase / 50Hz (Other frequencies available upon request)
- Insulation class : H
- Protection class : IP68
- Start-up : Direct on line (DOL), star-delta (YΔ)

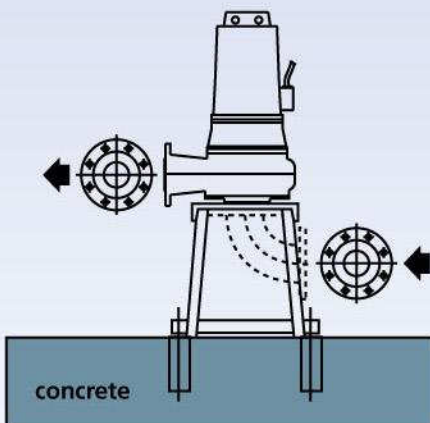
Installation



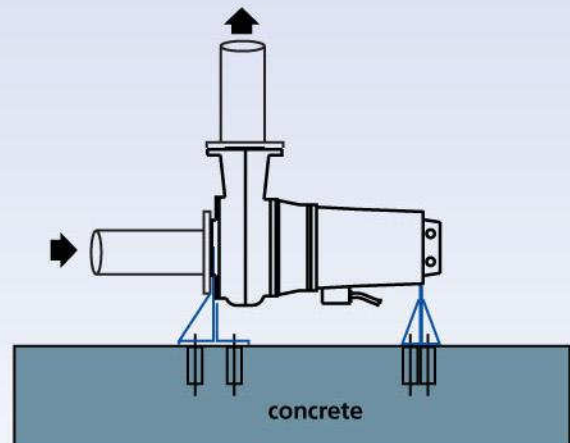
Submerged fixed installation



Submerged free standing installation

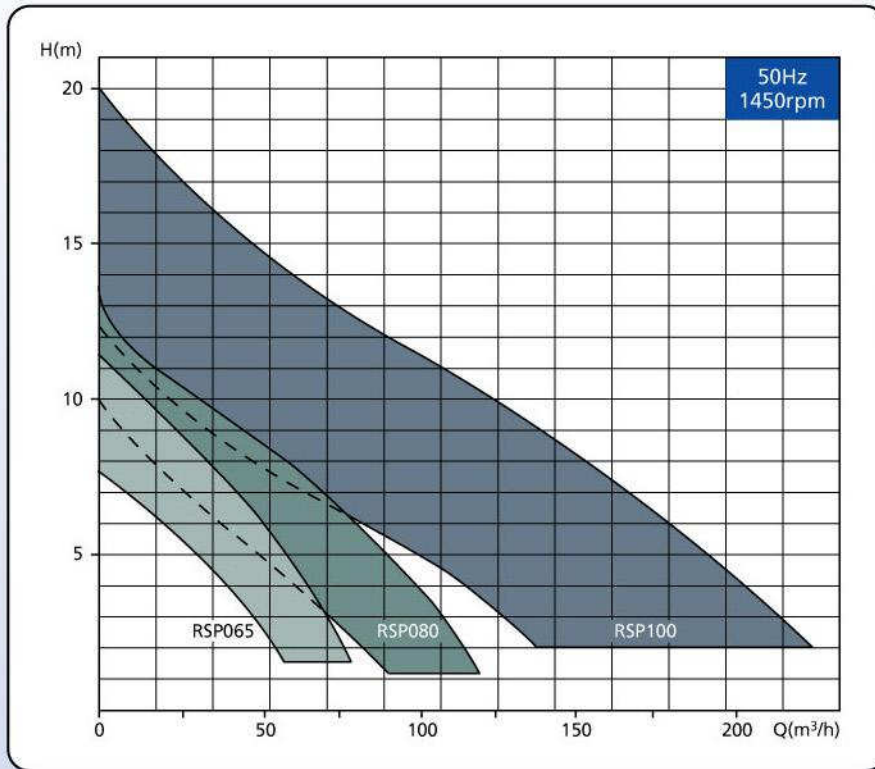


Dry pit installation (vertical)

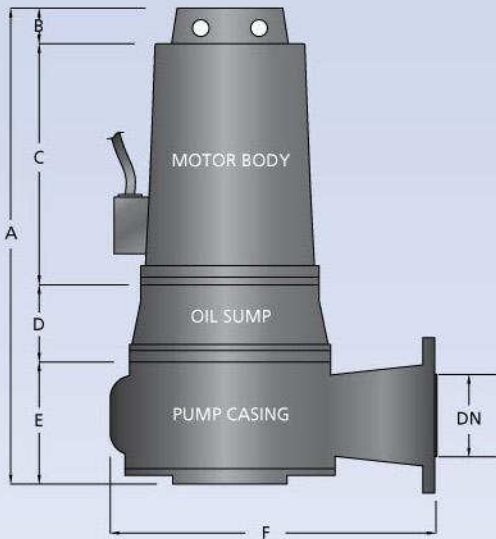


Dry pit installation (horizontal)

SELECTION CHART



INSTALLATION DIMENSION (mm)



Model	Dimension (mm)							Power (kW)
	A	B	C	D	E	F	DN	
RSP065	490	40	230	45	175	370	65	1.3
								2.6
								2.2
RSP080	580	40	295	50	195	400	80	1.3
								1.6
								2.2
RSP100	670	50	350	70	200	430	100	2.2
								2.7
								3.5
								5.5

For enquiries, please contact :