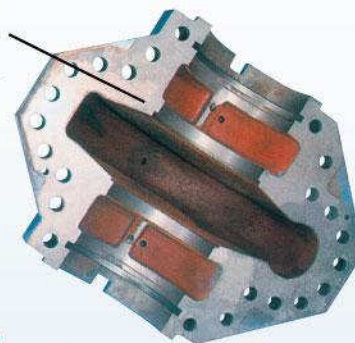


SPLIT CASING PUMP

Top half of casing is easily removed without disturbing pipe works or pump alignment, permitting quick access for service.



- ① Renewable wear rings and shaft sleeves protect casing and shaft from wear and corrosion.
- ② Dowel pins align upper and lower half of casing for accurate re-assembly.
- ③ Grease-lubricated bearings are fitted adjacent to the inserts. Double suction design reduces end-thrust and loading on bearings.
- ④ Large diameter, precision machined pump shaft provides maximum strength with minimum shaft deflection.
- ⑤ Pump feet are integrally cast with the bottom half of volute casing.
- ⑥ Double suction dynamically balanced impeller. Designed to ensure minimum NPSH and maximum efficiency.
- ⑦ Flanges drilled to PN 16 standard (PN 25 on selected models).
- ⑧ Heavy duty design ensures greater strength and reduces risks of vibration.



APPLICATIONS

- Clean water supply in municipal and industrial water works
- Water circulation systems
- Air conditioning plants
- Water treatment plants
- Irrigation and sprinkler systems
- Fire protection systems
- Petroleum refineries

TECHNICAL AND SERVICE ADVANTAGES

1. TWO ROTATION OPTION

Clockwise when viewed from the drive end, i.e. suction is on right-hand side. Anti clockwise rotation is possible subject to prior arrangement.

2. GLAND-PACKING OR MECHANICAL SEAL OPTION

The mechanical seal system incorporates two seals located in the pump suction, which are continuously flushed and cooled by the liquid entering the pump. Soft packed pumps can be supplied if required.

3. INTERCHANGEABILITY OF COMPONENT PARTS

Common driving modules and maximum interchangeability of parts.

4. WIDE CHOICE OF MATERIALS OF CONSTRUCTION

Available in different combinations of cast iron, bronze or stainless steel for the main components. Fusion bonded ceramic on wetted parts and special metal construction for specific applications upon request.

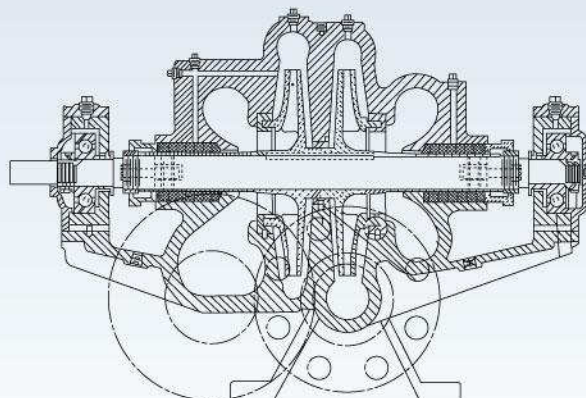
5. VARIETY OF OPERATING SPEEDS

Pumps can operate at 50Hz or 60Hz; speed ranges available are 740, 960, 1450, 2900 and 3450 rpm or any other intermediate speeds (please refer to individual pump curves).

SPECIAL EXECUTIONS

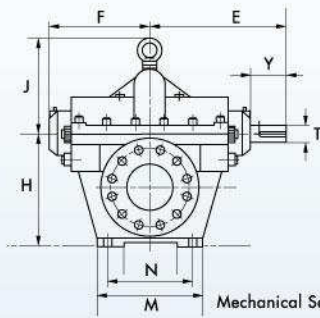


Vertical

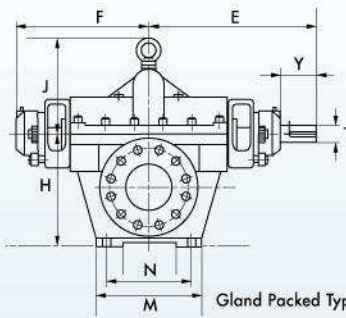


Double Staged

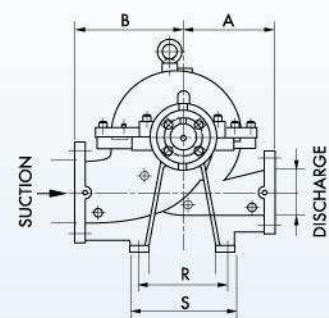
INSTALLATION DIMENSIONS (mm)



Mechanical Seal Type



Gland Packed Type



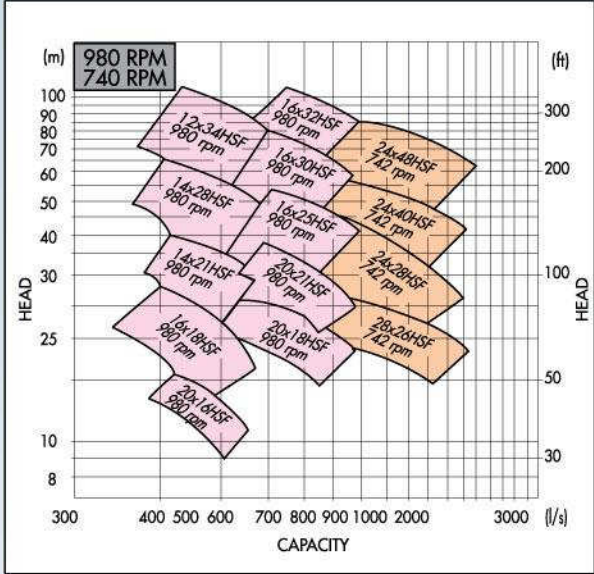
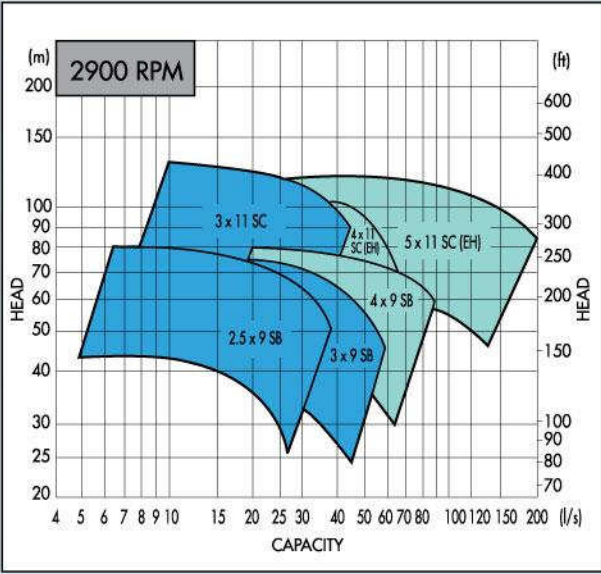
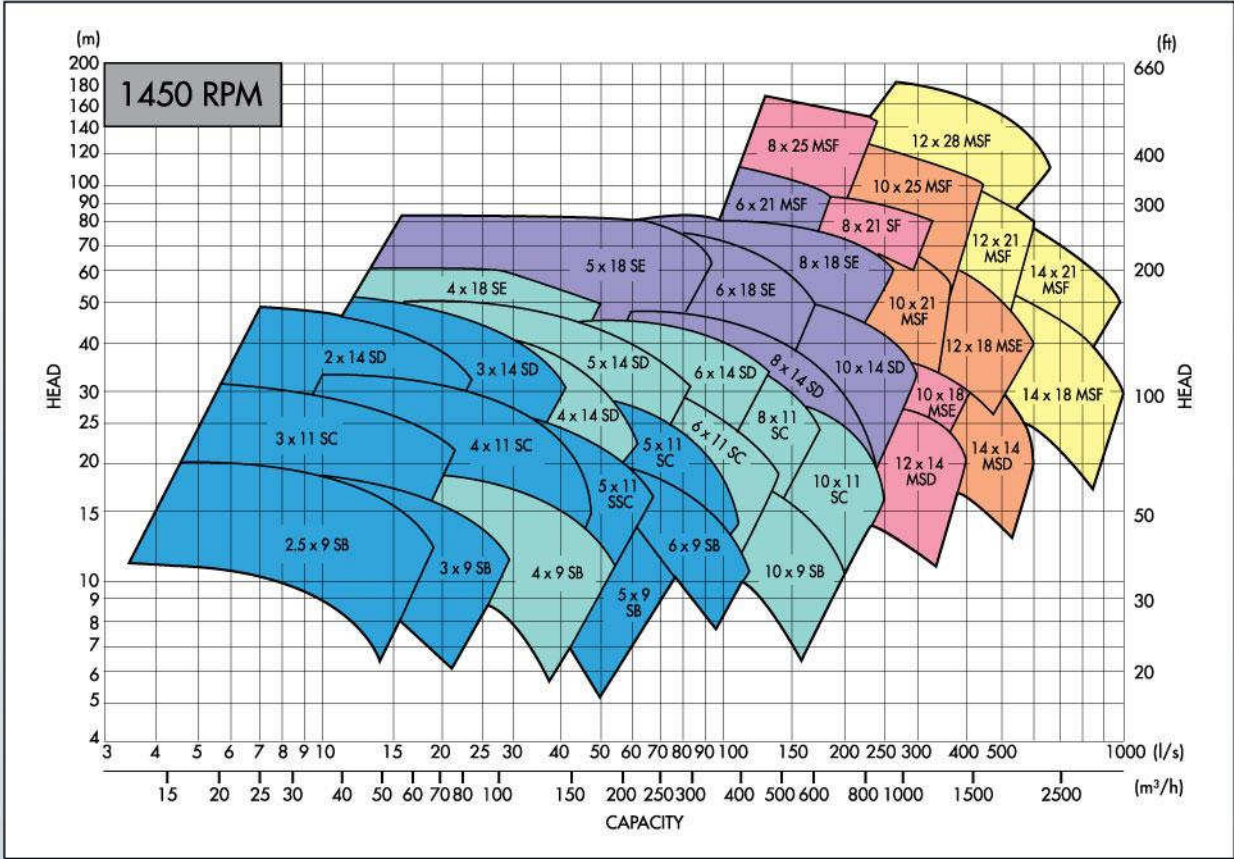
MODEL	SUC	DIS	A	B	E		F		H	J	M	N	R	S	Y	T	W(kg)
					GP	MS	GP	MS									
2.5 x 9 SB	80	65	225	280	399	314	331	246	250	254	300	240	290	350	70	25	110
3 x 9 SB	100	80	230	270	399	314	331	246	280	249	300	240	290	350	70	25	120
4 x 9 SB	150	100	250	310	500	401	400	301	340	308	300	240	290	350	100	42	170
5 x 9 SB	150	125	250	350	430	345	362	277	340	295	330	270	340	400	70	25	225
6 x 9 SB	200	150	310	365	430	345	362	277	390	303	330	270	340	400	70	25	255
10 x 9 SB	250	250	340	490	545	446	445	346	440	375	420	360	340	400	100	42	390
3 x 11 SC	100	80	275	290	399	314	331	246	280	274	300	240	290	350	70	25	135
4 x 11 SC	125	100	275	320	399	314	331	246	320	299	300	240	290	350	70	25	165
4 x 11 SC (EH)	125	100	275	320	434	335	355	256	320	299	300	240	290	350	86	35	198
5 x 11 SSC	150	125	290	310	399	314	331	246	340	293	300	240	290	350	70	25	170
5 x 11 SC	150	125	290	335	430	345	362	277	340	309	330	270	340	400	70	25	215
5 x 11 SC (EH)	150	125	290	335	505	406	414	315	340	309	330	270	340	400	100	45	258
6 x 11 SC	200	150	315	365	500	401	400	301	440	359	420	360	340	400	100	42	275
8 x 11 SC	250	200	385	450	545	446	445	346	540	381	500	440	450	510	100	42	445
10 x 11 SC	250	250	400	430	545	446	445	346	540	389	500	440	450	510	100	42	435
2 x 14 SD	80	50	280	355	399	314	331	246	300	321	330	270	340	400	70	25	170
3 x 14 SD	100	80	350	340	399	314	331	246	320	325	330	270	340	400	70	25	170
4 x 14 SD	125	100	350	340	500	401	400	301	340	346	330	270	390	450	100	42	235
5 x 14 SD	150	125	350	400	500	401	400	301	390	380	330	270	390	450	100	42	295
6 x 14 SD	200	150	350	410	500	401	400	301	440	376	420	360	340	400	100	42	315
8 x 14 SD	250	200	420	480	585	496	460	371	460	409	420	350	440	510	127	55	500
10 x 14 SD	300	250	420	590	585	496	460	371	540	471	500	430	490	560	127	55	660
4 x 18 SE	125	100	350	400	500	401	400	301	390	362	330	270	390	450	100	42	300
5 x 18 SE	200	125	450	480	585	496	475	385	500	425	450	390	490	560	121	55	330
6 x 18 SE	200	150	450	510	585	496	460	371	540	452	460	390	490	560	127	55	570
8 x 18 SE	250	200	450	550	585	496	460	371	540	445	500	430	490	560	127	55	600
8 x 21 SF	300	200	524	564	585	496	480	385	550	490	500	380	560	720	123	55	890
6 x 21 MSF	200	150	500	600		590		399	500	370	480	430	700	770	125	55	650
8 x 21 MSF	250	200	500	600		655		464	560	370	480	430	700	800	140	65	840
8 x 25 MSF	250	200	550	650		655		464	600	430	480	400	700	800	140	65	990
10 x 18 MSE	300	250	500	500		655		464	600	320	480	400	700	800	140	65	665
10 x 21 MSF	300	250	550	550		730		515	600	355	600	520	700	800	160	75	830
10 x 25 MSF	300	250	550	650		730		515	630	415	600	520	700	800	160	75	1215
12 x 14 MSD	350	300	500	550		655		464	630	360	480	400	700	800	140	65	630
12 x 18 MSE	400	300	550	650		730		515	670	365	600	520	700	800	160	75	905
12 x 21 MSF	400	300	650	700		810		585	710	430	600	520	950	1050	180	85	1425
12 x 28 MSF	400	300	650	750		810		585	750	480	600	520	950	1050	180	85	1690
14 x 14 MSD	400	350	550	650		730		515	670	410	600	520	700	800	160	75	865
14 x 18 MSF	450	350	650	750		810		585	750	465	600	520	950	1050	180	85	1285
14 x 21 MSF	400	350	650	700		810		585	750	420	600	520	950	1050	180	85	1395

SPECIFICATIONS AND MATERIALS

Liquid	Fresh Water Or Equivalent	Casing	Cast Iron / Ductile Iron
Water Temperature	≤ 90°C	Impeller	Bronze / Cast Iron / Stainless Steel
Working Pressure	16 Bar / 20 Bar*	Shaft	Stainless Steel / High Tensile Steel
Impeller Type	Double Suction Enclosed	Casing Ring	Bronze / Cast Iron
Stuffing Box	Mechanical Seal / Gland Packing	Shaft Sleeve	Bronze / Stainless Steel
Bearing	Sealed Ball & Roller Bearing	Packing	Asbestos
Nozzle Position	Side Suction, Side Discharge	Mechanical Seal	Silicon Carbide / Carbon / S.S.

* Varies with pump model

SELECTION RANGE CHART



For enquiries, please contact :